

Pressure Gauges & Test Box

Description	7.02
63 mm Bottom Entry	7.03
63 mm Rear Entry - Flange Mount	7.03
63 mm Rear Entry - Clamp Mount	7.04
100 mm Bottom Entry	7.05
100 mm Rear Entry - Flange Mount	7.05
Special Gauges	7.06
Accessories & Parts	7.06
Test Box	7.06



Description

Our high quality liquid-filled gauges feature a polished 304 stainless steel case for protection in harsh environments. Glycerine oil filled with inbuilt snubber for adverse service conditions where pulsating and vibration exists. Suitable for liquid or non-combustible gaseous media (not Oxygen).

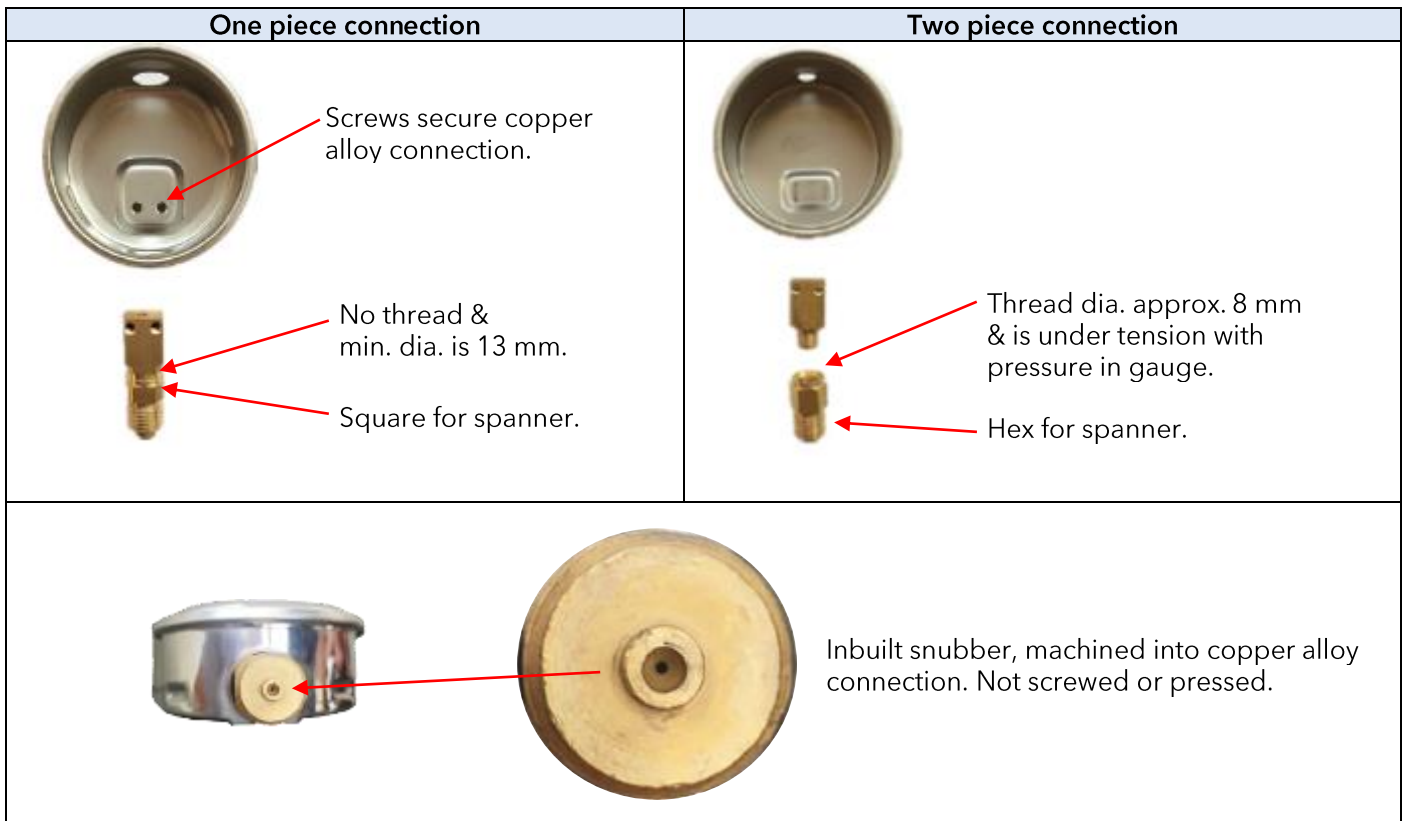
Main Features:

- Dual scale dial in bar/psi.
- Glycerine Oil Filled.
- Polished 304 stainless steel case with vent plug.
- Phosphor bronze bourdon tube.
- Polycarbonate window.
- Black Aluminium pointer.
- One piece copper alloy connection.
- Inbuilt snubber, machined into copper alloy connection. Not screwed or pressed.
- Ambient Temperature Range: +5 °C ~+60 °C.
- Accuracy $\pm 2.5\%$ of full scale
- Fluid service: mineral oil, water-glycol, alcohol, water-oil emulsions, air, etc. (not Oxygen).
- Manual vent option available. Refer to Accessories & Parts section below.
- Can be customised with your logo and part number - MOQ apply

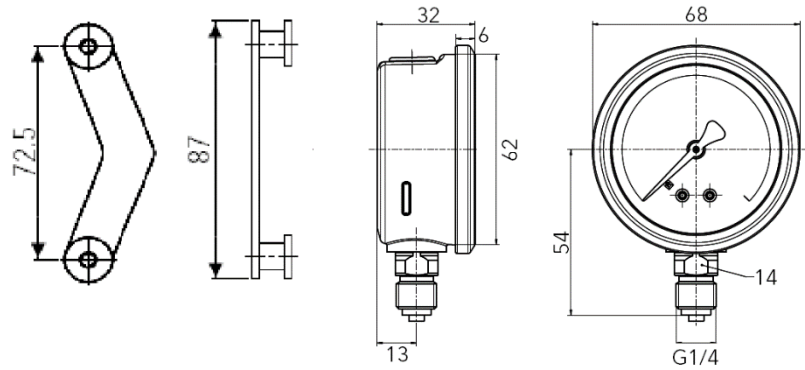
One Piece Connection Advantage:

Why choose one piece connection gauges? Because they are stronger.

The pictures below show the difference and how to identify them.



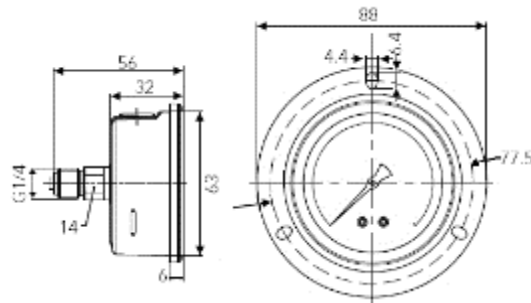
63 mm Bottom Entry - G 1/4 Connection



Note: PG63-C clamp can be fitted to convert to panel mount.
Not supplied with gauge, order separately.

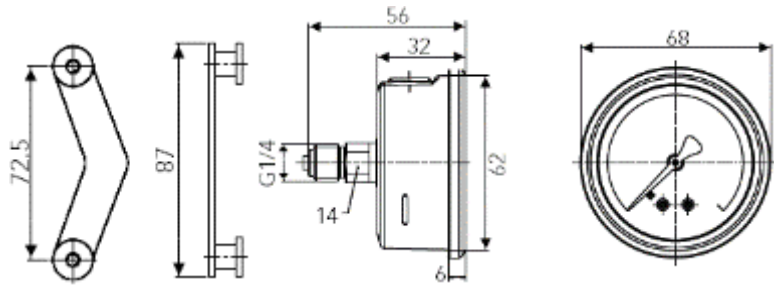
Order Code	Dial Range
PG63-070-B	0-70 bar/0-1000 psi
PG63-140-B	0-140 bar/0-2000 psi
PG63-200-B	0-200 bar/0-3000 psi
PG63-280-B	0-280 bar/0-4000 psi
PG63-350-B	0-350 bar/0-5000 psi
PG63-400-B	0-400 bar/0-6000 psi
PG63-550-B	0-550 bar/0-8000 psi
PG63-700-B	0-700 bar/0-10000 psi

63 mm Rear Entry - Flange Mount - G 1/4 Connection



Order Code	Dial Range
PG63-070-RF	0-70 bar/0-1000 psi
PG63-140-RF	0-140 bar/0-2000 psi
PG63-200-RF	0-200 bar/0-3000 psi
PG63-280-RF	0-280 bar/0-4000 psi
PG63-350-RF	0-350 bar/0-5000 psi
PG63-400-RF	0-400 bar/0-6000 psi
PG63-550-RF	0-550 bar/0-8000 psi
PG63-700-RF	0-700 bar/0-10000 psi

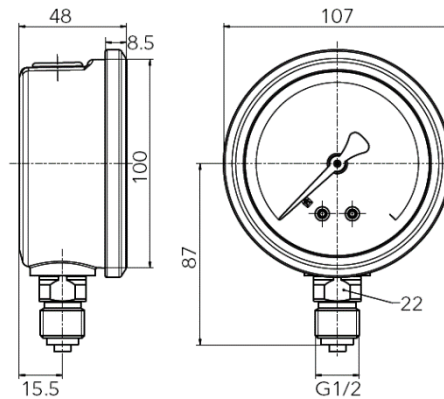
63 mm Rear Entry - Clamp Mount - G 1/4 Connection



Note: PG63-C clamp is supplied with gauge.

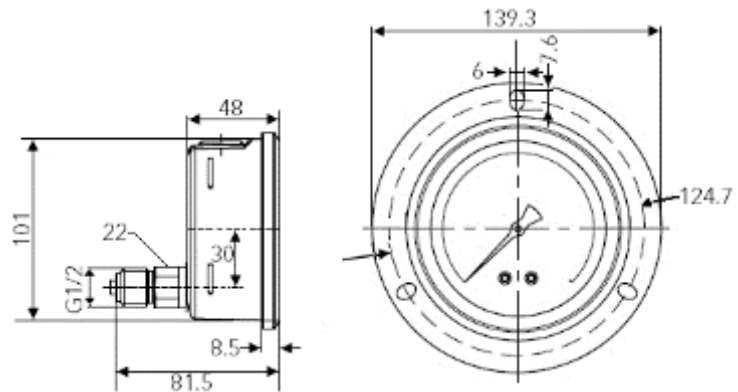
Order Code	Dial Range
PG63-070-RC	0-70 bar/0-1000 psi
PG63-140-RC	0-140 bar/0-2000 psi
PG63-200-RC	0-200 bar/0-3000 psi
PG63-280-RC	0-280 bar/0-4000 psi
PG63-350-RC	0-350 bar/0-5000 psi
PG63-400-RC	0-400 bar/0-6000 psi
PG63-550-RC	0-550 bar/0-8000 psi
PG63-700-RC	0-700 bar/0-10000 psi

100 mm Bottom Entry - G 1/2 Connection



Order Code	Dial Range
PG100-070-B	0-70 bar/0-1000 psi
PG100-140-B	0-140 bar/0-2000 psi
PG100-200-B	0-200 bar/0-3000 psi
PG100-280-B	0-280 bar/0-4000 psi
PG100-350-B	0-350 bar/0-5000 psi
PG100-400-B	0-400 bar/0-6000 psi
PG100-550-B	0-550 bar/0-8000 psi
PG100-700-B	0-700 bar/0-10000 psi

100 mm Rear Entry - Flange Mount - G 1/2 Connection



Order Code	Dial Range
PG100-070-RF	0-70 bar/0-1000 psi
PG100-140-RF	0-140 bar/0-2000 psi
PG100-200-RF	0-200 bar/0-3000 psi
PG100-280-RF	0-280 bar/0-4000 psi
PG100-350-RF	0-350 bar/0-5000 psi
PG100-400-RF	0-400 bar/0-6000 psi
PG100-550-RF	0-550 bar/0-8000 psi
PG100-700-RF	0-700 bar/0-10000 psi

Special Gauges



Order Code	Diameter	Dial Range	Connection	Liquid
PG100-0001	100 mm	0-800 kPa / 0-115 psi	3/8" BSPT - Bottom Entry (2 piece connection)	Silicone

Note: Ambient Temperature Range: - 10 °C ~ + 60 °C.

Accessories & Parts



Order Code	Description
PG63-C	63 mm Clamp (can be fitted to PG63-***-B)
PG63-F	63 mm Flange
PG63-MV	63 mm Manual Vent Plug
PG100-MV	100 mm Manual Vent Plug

Test Box



This robust moulded plastic box protects and makes carrying your test equipment easy. It can hold:

- 3 x 63 mm Pressure Gauges (bottom entry without Manual Vent)
- 6 x Test Points.
- 6 x Test hoses (depends on length)

Note: All these items are sold separately

Order Code	Description
BDTK	Test Kit Box