

Hand Pumps

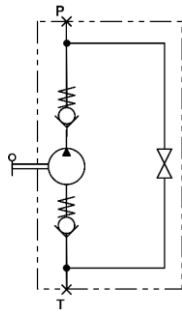
<i>Double Acting Function for Single Acting Cylinder – Tankless (Wall Mount)</i>	-----	3.02
<i>Double Acting Function for Single Acting Cylinder – Tank Mounting</i>	-----	3.03
<i>Double Acting Function for Double Acting Cylinder – Tank Mounting</i>	-----	3.03
<i>Steel Tanks</i>	-----	3.04
<i>Spare Parts</i>	-----	3.05



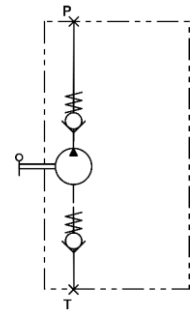
Double Acting Function for Single Acting Cylinder – Tankless (Wall Mount)



PRBC20M



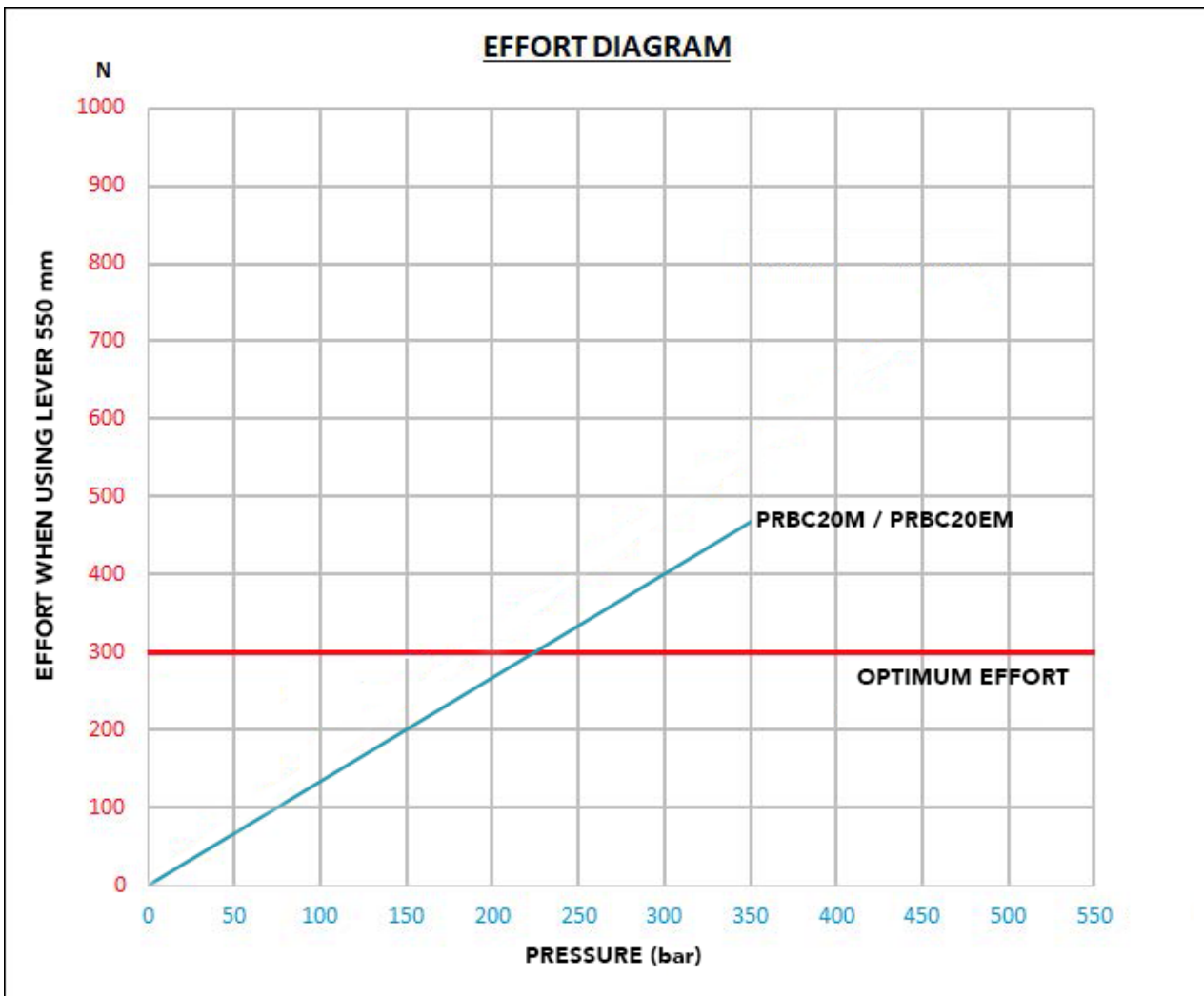
PRBC20EM



Order Code	Description	Displacement (cm ³)	Max. Pressure (bar)	Optimum Pressure (bar)	Ports	Release Knob
PRBC-4102883	PRBC20M	20	350	225	P = G 3/8 (Male)	Yes
PRBC-4104206	PRBC20EM				T = G 1/2 (Female)	No

Note:

- Displacement is per cycle. One cycle is extend and retract of the handle.
- All Hand Pumps are supplied with a Bellows over piston shaft and a Handle.
- PRBC Hand Pumps do not have a Relief Valve.



Double Acting Function for Single Acting Cylinder – Tank Mounting



Order Code	Description	Displacement (cm ³)	Max. Pressure (bar)	Optimum Pressure (bar)	Outlet Port
PRB-4092997	PRB12RM	12	380	220	G 3/8 (Male)
PRB-4092986	PRB25RM	25	350	120	
PRB-4105075	PRB45RM	45	280	80	

Double Acting Function for Double Acting Cylinder – Tank Mounting

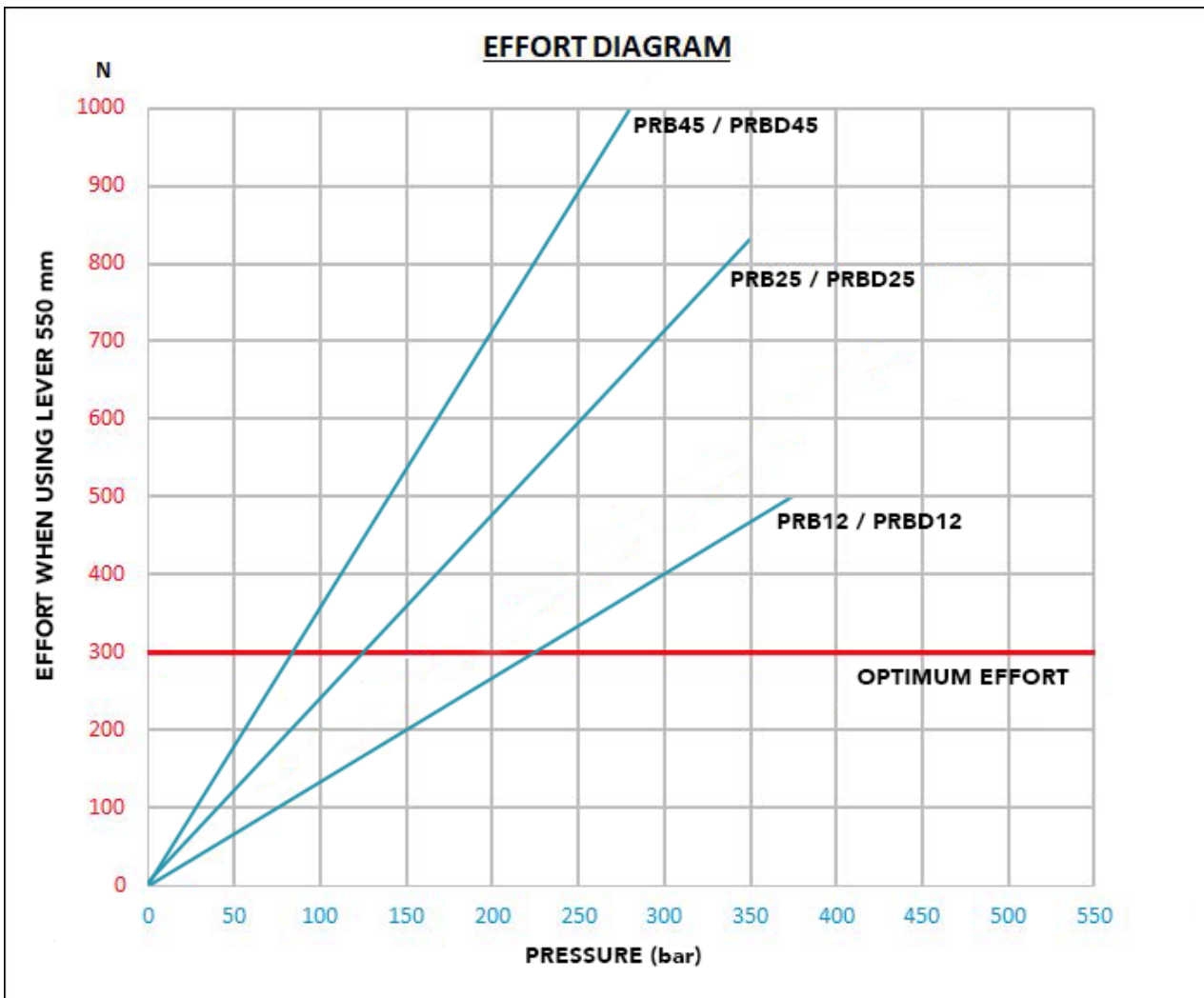


Order Code	Description	Displacement (cm ³)	Max. Pressure (bar)	Optimum Pressure (bar)	Outlet Ports
PRBD-4093000	PRBD12RM	12	380	220	G 3/8 (Male)
PRBD-4092990	PRBD25RM	25	350	120	
PRBD-4105087	PRBD45RM	45	280	80	

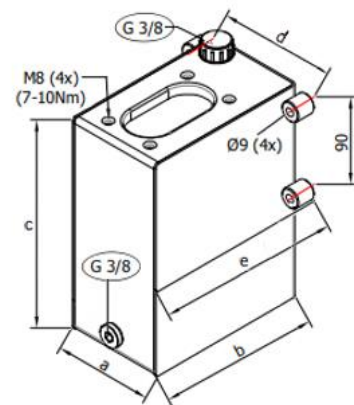
Note:

- Displacement is per cycle. One cycle is extend and retract of the handle.
- Relief Valve factory set to Max. Pressure.
- All Hand Pumps are supplied with an Adjustable Relief Valve, Bellows over piston shaft, Handle, Suction Filter, Suction Tube, Rubber Gasket, SHCS and Spring Washers for mounting to our tank or yours.
- Prices **do not** include a tank. They are sold separately. Refer to [Page 3.04](#).
- RP Tanks are supplied with the correct length suction tube.
Do not use the one supplied with the hand pump. Fit the serrated end of hose inside the suction strainer.
- When using RP Tanks hand pump can only be mounted with the handle horizontal.
- Hand Pumps can be mounted to your tank with the handle vertical. Ensure you use sealed nuts or thread sealant and take care not to kink and block the Suction Tube.

Continued Next Page



Steel Tanks



Order Code	Description	Usable Capacity	Dimensions				
			a	b	c	d	e
RP-4112720	RP1G	1 litre	100	170	120	120	173
RP-4112721	RP2G	2 litres			170		
RP-4112745	RP3G	3 litres			220		
RP-4112733	RP5G	5 litres	175	175	200	195	178
RP-4112734	RP7G	7 litres			290		
RP-4112735	RP10G	10 litres			380		

Note: Tanks are 2 mm thick steel, welded construction, painted RAL9005 black, supplied with Breather, Drain Plug, Suction Tube & Filter.

Spare Parts



Order Code	Description
4093434	Handle PRB / PRBC / PRBD – 27 mm \varnothing x 550 mm
4093123	Relief Valve PRB**RM / PRBD**RM
4093934	Lowering Valve PRB12 / PRB25 / PRBC20
4105136	Lowering Valve PRB45
7569217	Breather Hand Pump RP* Tank - M22 x 1.5 (Suits Old Order Code)
4112003	Breather Hand Pump RP*G Tank – G 3/8 (Suits New Order Code)
4109429	Suction Tube & Filter PRB / PRBD (Tube – 300 mm long. Suits RP10, Cut tube to length for other sizes)
4092941	PVC Bellows PRB / PRBC / PRBD
4110111	Seal Kit - PRB12R
4110114	Seal Kit - PRB25R
4110115	Seal Kit - PRB45R
4115864	Seal Kit - PRBC20
4110112	Seal Kit - PRBD12R
4107504	Seal Kit - PRBD25R
4110116	Seal Kit - PRBD45R