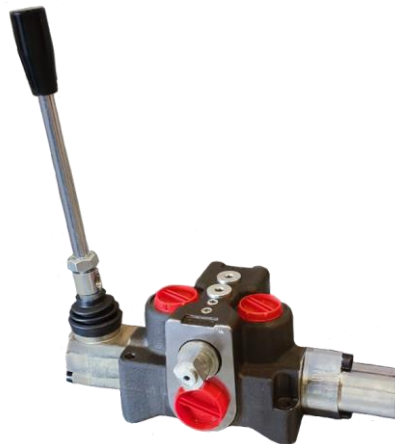


## Mobile Valves

<i>P40 Monoblock Valves</i>	6.02
<i>Z50 Monoblock Valves (Metering Spools)</i>	6.03
<i>Z50 Monoblock Valves (Solenoid Control)</i>	6.04
<i>P40 &amp; Z50 Accessories &amp; Spare Parts</i>	6.05
<i>P80 Monoblock Valves</i>	6.07
<i>P80 Accessories &amp; Spare Parts</i>	6.08
<i>P120 Monoblock Valves</i>	6.09
<i>P120 Accessories &amp; Spare Parts</i>	6.10
<i>P81 Log Splitter Valve</i>	6.11
<i>P70LS Monoblock Valve with Pressure Compensated By-Pass Flow Control</i>	6.13



## P40 Monoblock Valves



Nominal Flow: 40 L/min <i>(See manufacturers catalogue)</i>		1 - 7 Spools		Common Load Hold Check on P Port	
Adjustable Pressure: 50 - 250 bar		Preset: 180 bar			
Max. Port Pressures: P - 250 bar		A & B - 300 bar		T - 50 bar	
Ports: P - G 1/2		A & B - G 3/8		T - G 1/2	
Order Code	Description	Spools	Spool/Operator		
P40-1000005	P40-A1-GKZ1-11	1	D/A Cylinder / Spring Centred		
P40-1000006	P40-B1-GKZ1-11		S/A Cylinder / Spring Centred P → A, Lever Box Position 2 / Spool IN		
P40-1000004	P40-C1-GKZ1-11		S/A Cylinder / Spring Centred P → B, Lever Box Position 1 / Spool OUT		
P40-1006168	P40-D1-GKZ1-11		D/A Motor / Spring Centred		
P40-4109482	P40-A1-GKZ1-C-11		D/A Cylinder / Spring Centred + Plug C		
P40-1006171	P40-D8-GKZ1-11		D/A Motor / 3 Position Detent		
P40-1000257	O2P40-1A1A1-GKZ1-11		2	D/A Cylinder / Spring Centred	
P40-1000276	O2P40-1A1K16-GKZ1-11 <i>(Being Superseded by 02Z50-1A1K16-GKZ1-11)</i>	Spool 1 - D/A Cylinder / Spring Centred Spool 2 - 4 Position Float Spring Centred / Detent on Float Detent - Lever Box Position 3 / Spool OUT			
P40-4104468	O2P40-1K16A1-GKZ1-11 <i>(Being Superseded by 02Z50-1K16A1-GKZ1-11)</i>	Spool 1 - 4 Position Float Spring Centred / Detent on Float Detent - Lever Box Position 3 / Spool OUT Spool 2 - D/A Cylinder / Spring Centred			
P40-1000274	O2P40-1K16K16-GKZ1-11 <i>(Being Superseded by 02Z50-1K16K16-GKZ1-11)</i>	Spool 1 & 2 - 4 Position Float Spring Centred / Detent on Float Detent - Lever Box Position 3 / Spool OUT			
P40-1000290	O3P40-1A1A1A1-GKZ1-11	3	D/A Cylinder / Spring Centred		
P40-1000306	O4P40-1A1A1A1A1-GKZ1-11	4	D/A Cylinder / Spring Centred		
P40-1006273	O4P40-1D1D1D1D1-GKZ1-11		D/A Motor / Spring Centred		
P40-1000336	O5P40-1A1A1A1A1A1-GKZ1-11	5	D/A Cylinder / Spring Centred		
P40-1001956	O6P40-1A1A1A1A1A1A1-GKZ1-11	6	D/A Cylinder / Spring Centred		
P40-1001965	O7P40-1A1A1A1A1A1A1A1-GKZ1-11	7	D/A Cylinder / Spring Centred		

**B Spool add \$30.00 per spool for O2P40 to O7P40**

**4 Position Float (K16) add \$157.00 per spool for O3P40 to O7P40.**

**Note:**

- Valves cannot be converted from left inlet to right inlet. A different spool is required.
- P40 single spool valves have 1 x P & 1 x T port which are on the side.  
All other valves have 2 x P & 2 x T ports, side and top.
- **K16 spool/control requires modification to the valve body.**  
Contact [Hydraulic Equipment](#) for details if doing this conversion.

**Continued Next Page**

**Options:** (indent to customer order)

- Remote cable control with single lever or 2 axis Joystick.
- Individual load hold check on all ports, available up to 4 spools.
- A & B port reliefs.
- Electrohydraulic control up to 4 spools.

## Z50 Monoblock Valves (Metering Spools)



<b>Nominal Flow: 40 L/min</b> (See manufacturers catalogue)		<b>1 - 2 Spools</b>	<b>Common Load Hold Check on P Port</b>
<b>Adjustable Pressure: 50 - 250 bar</b>		<b>Preset: 180 bar</b>	
<b>Max. Port Pressures: P - 250 bar</b>		<b>A &amp; B - 300 bar</b>	
<b>Ports: P - G 1/2</b>		<b>T - 50 bar</b>	
<b>Ports: P - G 1/2</b>		<b>A &amp; B - G 3/8</b>	
<b>Ports: P - G 1/2</b>		<b>T - G 1/2</b>	
Order Code	Description	Spools	Spool/Operator
Z50-4112514	Z50-K16-GKZ1-11	1	4 Position Float Spring Centred / Detent on Float Detent - Lever Box Position 3 / Spool OUT
Z50-4121108	Z50R-L12-GKZ1-11 (Right Hand Inlet)		4 Position Float Spring Centred / Detent on Float Detent - Lever Box Position 3 / Spool IN
Z50-4106244	02Z50-1A1K16-GKZ1-11	2	Spool 1 - D/A Cylinder / Spring Centred Spool 2 - 4 Position Float Spring Centred / Detent on Float Detent - Lever Box Position 3 / Spool OUT
Z50-4108908	02Z50-1K16A1-GKZ1-11		Spool 1 - 4 Position Float Spring Centred / Detent on Float Detent - Lever Box Position 3 / Spool OUT Spool 2 - D/A Cylinder / Spring Centred
Z50-4114846	02Z50-1K16K16-GKZ1-11		Spool 1 & 2 - 4 Position Float Spring Centred / Detent on Float Detent - Lever Box Position 3 / Spool OUT

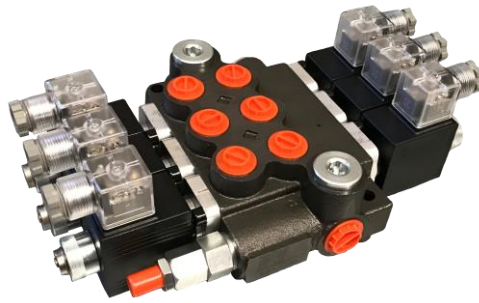
**Note:**

- Valves cannot be converted from left inlet to right inlet. A different spool is required.
- Z50 single spool valves have 1 x P & 1 x T port which are on the side.
- All other valves have 2 x P & 2 x T ports, side and top.

**Options:** (indent to customer order)

- Remote cable control with single lever or 2 axis Joystick.
- Individual load hold check on all ports, available up to 4 spools.
- A & B port reliefs.
- Electrohydraulic control up to 4 spools.
- Available up to 7 spools.
- Solenoid/Manual control up to 7 spools.

## Z50 Monoblock Valves (Solenoid Control)



Nominal Flow: 50 L/min <i>(See manufacturers catalogue)</i>		3 Spools		Common Load Hold Check on P Port	
Adjustable Pressure: 50 - 250 bar		Preset: 180 bar			
Max. Port Pressures: P - 250 bar		A & B - 300 bar		T - 50 bar	
Ports: P - G 1/2		A & B - G 3/8		T - G 1/2	
Order Code	Description	Spools	Spool/Operator		Voltage
Z50-4108300	03Z50-AAD-ES3-12VDC-G	3	Spool 1 & 2 - D/A Cylinder / Spring Centred Spool 3 - D/A Motor / Spring Centred		12V DC

**Note:**

- Z50 single spool valves have 1 x P & 1 x T port which are on the side.
- All other valves have 2 x P & 2 x T ports, side and top.
- DIN Plugs are sold separately.

**Options:** *(indent to customer order)*

- Individual load hold check on all ports, available up to 4 spools.
- A & B port reliefs.
- Available up to 7 spools.
- Solenoid/Manual control up to 7 spools.

## DIN Plugs



Order Code	Voltage	Description
C01010001-N	DC	DIN Light Plug

## P40 & Z50 Accessories & Spare Parts

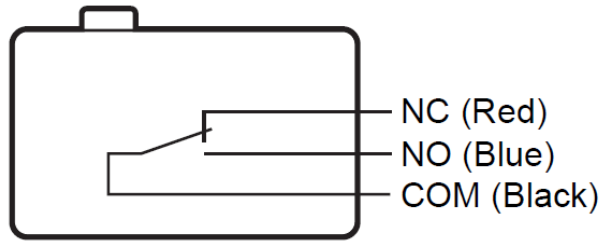
Order Code	Description
4093148	Plug C - Closed Centre - P40 / Z50
4093146	Plug C2 - HPCO - P40 / Z50 - G 1/2 Port
4098828	Plug SVP (Relief) - P40 / Z50 / P80
4093162	Spool Control 1 - P40 / Z50 - 3 Position Spring Centred
4093172	Spool Control 2 - P40 / Z50 - 3 Position, Spring Centred / Detent Detent P → B, Lever Box Pos. 1 / Spool OUT
4093173	Spool Control 3 - P40 / Z50 - 3 Position, Spring Centred / Detent Detent P → A, Lever Box Pos. 2 / Spool IN
4093174	Spool Control 4 - P40 / Z50 - 2 Position, Spring Centred, 0 & 2 P → A, Lever Box Pos. 2 / Spool IN
4093175	Spool Control 5 - P40 / Z50 - 2 Position, Spring Centred, 0 & 1 P → B, Lever Box Pos. 1 / Spool OUT
4093160	Spool Control 8 - P40 / Z50 - 3 Position Detent
4093161	Spool Control 9 - P40 / Z50 - 2 Position Detent, 0 & 1 Detent P → B, Lever Box Position 1 / Spool OUT
4093163	Spool Control 10 - P40 / Z50 - 2 Position Detent, 0 & 2 Detent P → A, Lever Box Pos. 2 / Spool IN
4093171	Spool Control 16 - P40 - 4 Position Float Spring Centred / Detent on Float. Detent - Lever Box Position 3 / Spool OUT
4107917	P40 / Z50 Spool / Control A1 & D1 Microswitch Bracket Assembly (1 per spool) (Microswitch not included)
4111919	P40 / Z50 Spool / Control B1 Microswitch Bracket Assembly (1 per spool) (Microswitch not included)
4111920	P40 / Z50 Spool / Control C1 Microswitch Bracket Assembly (1 per spool) (Microswitch not included)
4114236	P40 / Z50 Spool / Control K16 Microswitch Bracket Assembly (1 per spool) (Microswitch not included)
673614	Microswitch - IP67, SPDT, 250V AC, 30V DC (1 per spool) <i>Wiring details on Page 6.06.</i>
4103491	Pneumatic Control - P40 / Z50 (1 per spool)
4093702	Hydraulic Control - P40 / Z50 (1 per spool)
4093440	Joystick Assembly - P40 / Z50 (2 Spool, X & Y Axis - J+1 & J+3)
4093048	Lever - P80 / PC70 / PC100 / Joystick (180 mm L - M10 x 1.5)
4093561	PVC Boot - Joystick P40 / Z50 / P80 / PC70 / PC100
4093120	Relief Valve - P40 / Z50 / P80
1000169	PVC Boot - Lever Box P40 / Z50 / P80 / PC70 / PC100 (Standard)
4109045	Rubber Boot - Lever Box P40 / Z50 / P80 / PC70 / PC100
4093131	Lever - P40 / Z50 (165 mm L - M8 x 1.25)
4093217	Lever Box - P40 / Z50 - KZ (Lever Box, PVC Boot, SHCS) (Standard)
4093213	Lever Box Assembly - P40 / Z50 - KZ1 (Lever, Lever Box, PVC Boot, SHCS) (Standard)
4093101	Seal Kit - P40 / Z50
4093095	Seal Kit - 02P40 / Z50
4093096	Seal Kit - 03P40 / Z50
4093097	Seal Kit - 04P40 / Z50
4093098	Seal Kit - 05P40 / Z50
4093099	Seal Kit - 06P40 / Z50
4103815	Seal Kit - 07P40 / Z50
4110375	Seal Kit - Pneumatic Control P40 / Z50 / P80 / PC70 / PC100
4110440	Seal Kit - Hydraulic Control P40 / Z50 / P80 / PC70 / PC100

Continued Next Page

1000043	Spool A - P40 - D/A Cylinder
4107957	Spool B - P40 - S/A Cylinder, P → A
1000044	Spool C - P40 - S/A Cylinder, P → B
1000045	Spool D - P40 - D/A Motor
4099399	Spool K - P40 - 4 Position Float

## Microswitch Wiring Details

---



## P80 Monoblock Valves



<b>Nominal Flow: 80 L/min</b> <i>(See manufacturers catalogue)</i>		<b>1 - 6 Spools</b>	<b>Individual Load Hold Check on All Ports</b>
<b>Adjustable Pressure: 50 - 250 bar</b>		<b>Preset: 180 bar</b>	
<b>Max. Port Pressures:</b>		<b>P - 250 bar</b>	<b>A &amp; B - 300 bar</b>
<b>Ports:</b>		<b>P - G 1/2</b>	<b>A &amp; B - G 1/2</b>
		<b>T - 50 bar</b>	<b>T - G 3/4</b>
Order Code	Description	Spools	Spool/Operator
P80-1000830	P80-A1-GKZ1-11	1	D/A Cylinder / Spring Centred
P80-1000831	P80-B1-GKZ1-11		S/A Cylinder / Spring Centred P → A, Lever Box Position 2 / Spool IN
P80-1000832	P80-C1-GKZ1-11		S/A Cylinder / Spring Centred P → B, Lever Box Position 1 / Spool OUT
P80-4090608	P80-D1-GKZ1-11		D/A Motor / Spring Centred
P80-1005959	P80-D8-GKZ1-11		D/A Motor / 3 Position Detent
P80-1000835	P80-L12-GKZ1-11		4 Position Float Spring Centred / Detent on Float Detent - Lever Box Position 3 / Spool IN
P80-1000999	2P80-1A1A1-GKZ1-11	2	D/A Cylinder / Spring Centred
P80-1001024	3P80-1A1A1A1-GKZ1-11	3	D/A Cylinder / Spring Centred
P80-4119700	4P80-1A1A1A1A1-GKZe1-11	4	D/A Cylinder / Spring Centred MRV Preset & Lockwired at 193 bar
P80-4119701	4P80-1A1A1A1A1-GKZe1-P-11		D/A Cylinder / Spring Centred plus Pneumatic Control MRV Preset & Lockwired at 193 bar
P80-4115863	4P80-1A1A1A1A1-GKZ1-EH24-11		D/A Cylinder / Spring Centred plus Electrohydraulic Control - 24V DC MRV Preset & Lockwired at 193 bar
P80-1001134	5P80-1A1A1A1A1A1-GKZ1-11	5	D/A Cylinder / Spring Centred
P80-1001139	6P80-1A1A1A1A1A1A1-GKZ1-11	6	D/A Cylinder / Spring Centred

**4 Position Float (L12) add \$90.00 per spool for 2P80 to 6P80.**

**Note:**

- Valves cannot be converted from left inlet to right inlet. A different spool is required.
- P80 single spool valves have 1 x P & 1 x T port which are on the side.  
All other valves have 2 x P & 2 x T ports, side and top.
- Electrohydraulic Control - 12V DC available via conversion.
- Electrohydraulic Control - DIN Plugs are sold separately. Refer to [Page 6.04](#).

**Options:** *(indent to customer order)*

- Remote cable control with single lever or 2 axis Joystick.
- Metering spool versions available up to 6 spools.

## P80 Accessories & Spare Parts

Order Code	Description
4093138	Plug C - Closed Centre - P80
4093057	Plug C2 - HPCO - P80 - G 3/4 Port
4098828	Plug SVP (Relief) - P40 / Z50 / P80
4093150	Spool Control 1 - P80 / PC70 / PC100 - 3 Position Spring Centred
4093153	Spool Control 2 - P80 / PC70 / PC100 - 3 Position, Spring Centred / Detent Detent P → B, Lever Box Position 1 / Spool OUT
4093154	Spool Control 3 - P80 / PC70 / PC100 - 3 Position, Spring Centred / Detent Detent P → A, Lever Box Position 2 / Spool IN
4093816	Spool Control 4 - P80 / PC70 / PC100 - 2 Position, Spring Centred, 0 & 2 P → A, Lever Box Position 2 / Spool IN
4099054	Spool Control 5 - P80 / PC70 / PC100 - 2 Position, Spring Centred, 0 & 1 P → B, Lever Box Position 1 / Spool OUT
4093156	Spool Control 8 - P80 / PC70 / PC100 - 3 Position Detent
4093157	Spool Control 9 - P80 / PC70 / PC100 - 2 Position Detent, 0 & 1 Detent P → B, Lever Box Position 1 / Spool OUT
4093151	Spool Control 10 - P80 / PC70 / PC100 - 2 Position Detent, 0 & 2 Detent P → A, Lever Box Position 2 / Spool IN
4111921	P80 Spool / Control A1 & D1 Microswitch Bracket Assembly (1 per spool) (Microswitch not included)
4111922	P80 Spool / Control B1 Microswitch Bracket Assembly (1 per spool) (Microswitch not included)
4111923	P80 Spool / Control C1 Microswitch Bracket Assembly (1 per spool) (Microswitch not included)
673614	Microswitch - IP67, SPDT, 250V AC, 30V DC (1 per spool) <i>Wiring details on Page 6.06.</i>
4103492	Pneumatic Control - P80 / PC70 / PC100 (1 per spool)
4093696	Hydraulic Control - P80 / PC70 / PC100 (1 per spool)
4093443	Joystick Assembly - P80 / PC70 / PC100 (2 Spool, X & Y Axis - J+1 & J+3)
4093561	PVC Boot - Joystick P40 / Z50 / P80 / PC70 / PC100
4093120	Relief Valve - P40 / Z50 / P80
1000169	PVC Boot - Lever Box P40 / Z50 / P80 / PC70 / PC100 (Standard)
4109045	Rubber Boot - Lever Box P40 / Z50 / P80 / PC70 / PC100
4093048	Lever - P80 / PC70 / PC100 / Joystick (180 mm L - M10 x 1.5)
4093211	Lever Box - P80 / PC70 - KZ (Lever Box, PVC Boot, SHCS) (Standard)
4093132	Lever Box Assembly - P80 / PC70 - KZ1 (Lever, Lever Box, PVC Boot, SHCS) (Standard)
4119600	Lever Box - P80 / PC70 - KZe (Lever Box with SUS Hinge Pin, Rubber Boot, SHCS)
4093102	Seal Kit - P80
4093093	Seal Kit - 2P80
4093100	Seal Kit - 3P80
4093091	Seal Kit - 4P80
4093092	Seal Kit - 5P80
4093094	Seal Kit - 6P80
4110375	Seal Kit - Pneumatic Control P40 / Z50 / P80 / PC70 / PC100
4110440	Seal Kit - Hydraulic Control P40 / Z50 / P80 / PC70 / PC100
1000853	Spool A - P80 - D/A Cylinder
1000854	Spool B - P80 - S/A Cylinder, P → A
1000855	Spool C - P80 - S/A Cylinder, P → B
1000856	Spool D - P80 - D/A Motor



## P120 Monoblock Valves



<b>Nominal Flow: 120 L/min</b> <i>(See manufacturers catalogue)</i>		<b>1 - 4 Spools</b>	<b>Common Load Hold Check on P Port</b>
<b>Adjustable Pressure: 50 - 250 bar</b>		<b>Preset: 180 bar</b>	
<b>Max. Port Pressures: P - 250 bar</b>		<b>A &amp; B - 300 bar</b>	<b>T - 50 bar</b>
<b>Ports: P - G 1</b>		<b>A &amp; B - G 1</b>	<b>T - G 1</b>
Order Code	Description	Spools	Spool/Operator
P120-1002920	P120-A1-GKZ1-11	1	D/A Cylinder / Spring Centred
P120-4101803	P120-B1-GKZ1-11		S/A Cylinder / Spring Centred P → A, Lever Box Position 2 / Spool IN
P120-4105727	P120-C1-GKZ1-11		S/A Cylinder / Spring Centred P → B, Lever Box Position 1 / Spool OUT
P120-4092968	P120-D1-GKZ1-11		D/A Motor / Spring Centred
P120-4101163	P120-D8-GKZ1-11		D/A Motor / 3 Position Detent
P120-4092562	02P120-1A1A1-GKZ1-11	2	D/A Cylinder / Spring Centred
P120-4092566	03P120-1A1A1A1-GKZ1-11	3	D/A Cylinder / Spring Centred
P120-4096785	04P120-1A1A1A1A1-GKZ1-11	4	D/A Cylinder / Spring Centred

**Note:**

- Valves cannot be converted from left inlet to right inlet. A different spool is required.
- All P120 spool valves have 2 x P & 2 x T ports, side and top.

**Options:** *(indent to customer order)*

- Electrohydraulic control up to 4 spools.
- 4 Position Float with Spring Centred/Detent control.

## P120 Accessories & Spare Parts

Order Code	Description
4093139	Plug C - Closed Centre - P120
4093144	Plug C2 – HPCO - P120 - G 1 Port
4110139	Plug SVP (Relief) - P120
4099875	Spool Control 1 - P120 - 3 Position Spring Centred
4100011	Spool Control 2 - P120 - 3 Position, Spring Centred / Detent Detent P → B, Lever Box Position 1 / Spool OUT
4100012	Spool Control 3 - P120 - 3 Position, Spring Centred / Detent Detent P → A, Lever Box Position 2 / Spool IN
4100060	Spool Control 4 - P120 - 2 Position, Spring Centred, 0 & 2 P → A, Lever Box Position 2 / Spool IN
4103771	Spool Control 5 - P120 - 2 Position, Spring Centred, 0 & 1 P → B, Lever Box Position 1 / Spool OUT
4093158	Spool Control 8 - P120 - 3 Position Detent
4103772	Spool Control 9 - P120 - 2 Position Detent, 0 & 1 Detent P → B, Lever Box Position 1 / Spool OUT
4100732	Spool Control 10 - P120 - 2 Position Detent, 0 & 2 Detent P → A, Lever Box Position 2 / Spool IN
4098867	Pneumatic Control - P120 (1 per spool)
4103880	Hydraulic Control - P120 (1 per spool)
4109057	Relief Valve - P120
1002968	PVC Boot - P120 (Standard)
4098498	Lever - P120 (290 mm L - M12 x 1.75)
4102378	Lever Box - P120 - KZ (Lever Box, PVC Boot, SHCS) (Standard)
4093772	Lever Box Assembly - P120 - KZ1 (Lever, Lever Box, PVC Boot, SHCS) (Standard)
4093773	Seal Kit - P120
4103779	Seal Kit - 02P120
4103781	Seal Kit - 03P120
4103783	Seal Kit - 04P120
4110393	Seal Kit - Pneumatic Control P120
4110441	Seal Kit - Hydraulic Control P120
1002927	Spool A - P120 - D/A Cylinder
4093354	Spool B - P120 - S/A Cylinder, P → A
4100010	Spool C - P120 - S/A Cylinder, P → B
4092942	Spool D - P120 - D/A Motor

## P81 Log Splitter Valve



<b>Nominal Inlet Flow: P81-A2-G = 80 L/min</b>			
<b>P81-Rs-G = 16 L/min</b>			
<b>Main Relief Valve Adjustable Pressure:</b>		<b>50 - 250 bar</b>	<b>Preset: 150 bar</b>
<b>Pressure Release Detent Adjustable Pressure:</b>		<b>70 – 140 bar</b>	<b>Preset: 70 bar</b>
<b>Max. Port Pressures:</b>	<b>P - 250 bar</b>	<b>A &amp; B - 300 bar</b>	<b>T - 10 bar</b>
<b>Port Size:</b>	<b>P - G 3/4</b>	<b>A &amp; B - G 1/2</b>	<b>T - G 3/4</b>
Order Code	Description	Spools	Spool/Operator
P81-4091319	P81-A2-G	1	Cylinder – 3 Position Spring Centred/Pressure Released Detent <b>Connect B Port to Rod End of Cylinder.</b>
P81-4108766	P81-Rs-G		Cylinder with 4 <sup>th</sup> Position Re-Gen Spring Centred/Pressure Released Detent <b>Connect A Port to Rod End of Cylinder.</b> <b>The B Port hose needs to be larger due to high Re-Gen flows.</b>

**Note:**

- Valves cannot be converted from left inlet to right inlet.
- P81 valves have 1 x P & 1 x T port which are on the side.

### Description

The P81 is an on/off monoblock directional control valve designed for a log splitter. It is spring centred in one direction and has a pressure release detent in the other direction which automatically kicks back to neutral when the cylinder reaches the end of its stroke.

**Warning:** The pressure release detent must only be used on splitting blade retraction.

The P81-A2-G is designed for a two stage (hi-low) pump.

The P81-Rs-G is designed for a single stage pump and features a regenerative function to extend the cylinder at high speed. When extra force is required the user manually shifts from high-speed mode to high force mode and a “soft stop” differentiates between the two modes.

### Pressure Released Detent

On P81-A2-G it is Spool “OUT” (Handle “IN”) position. **Connect B Port to Rod End of Cylinder.**

On P81-Rs-G it is Spool “IN” (Handle “OUT”) position. **Connect A Port to Rod End of Cylinder.**

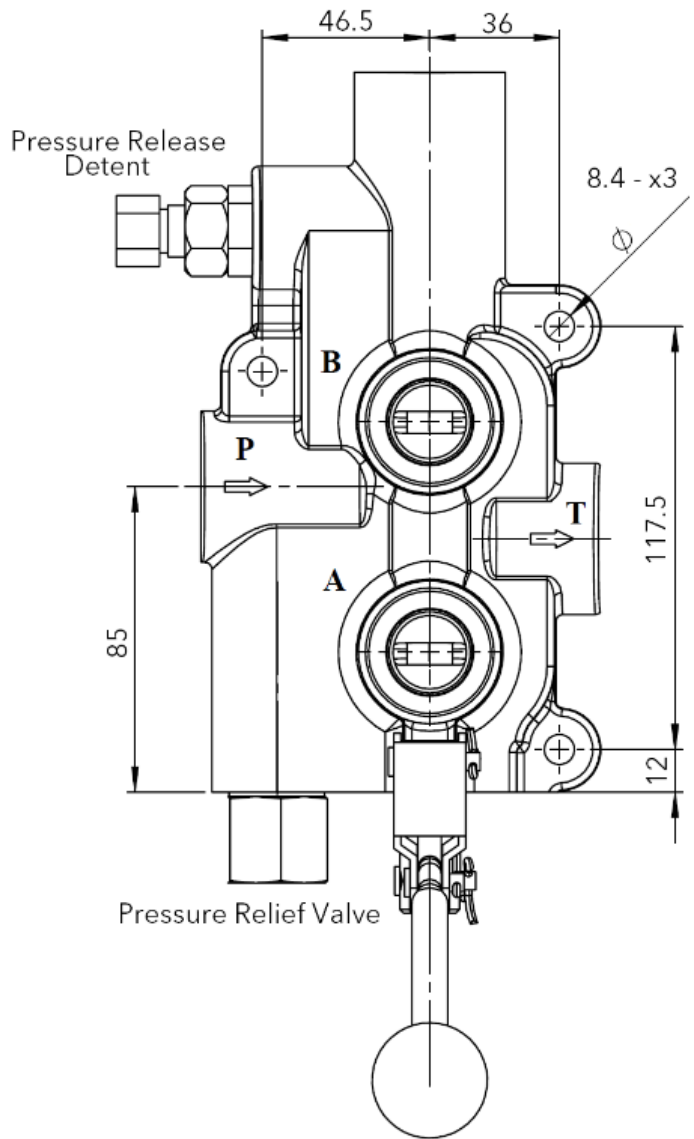
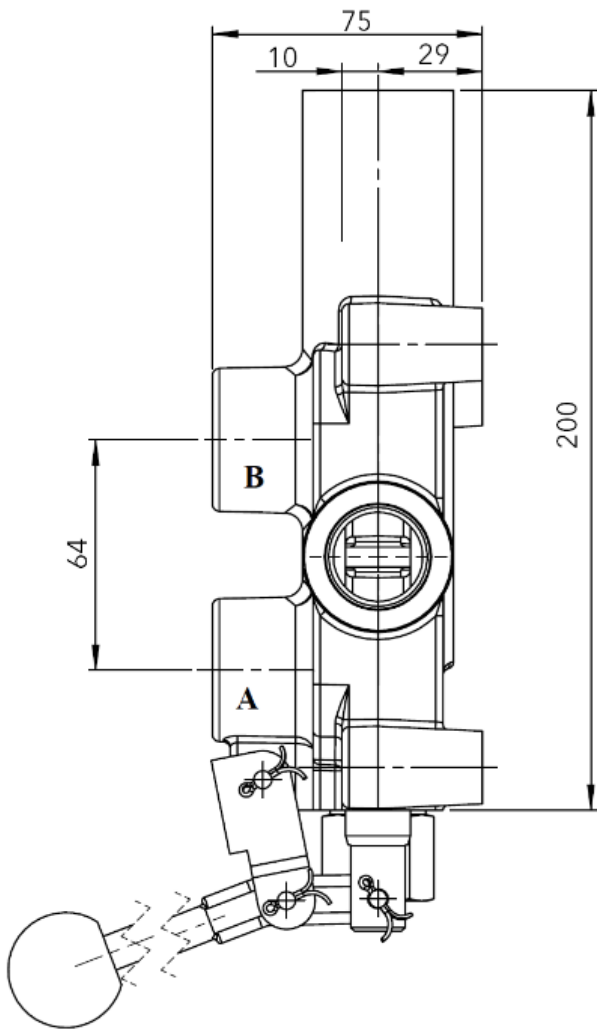
**The B Port hose needs to be larger due to high Re-Gen flows.**

**Warning:** The pressure release detent must only be used on splitting blade retraction.

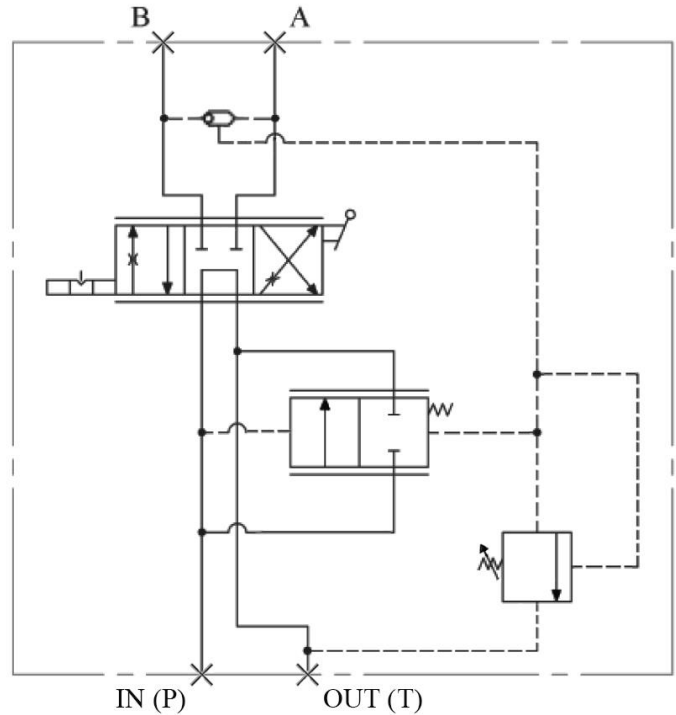
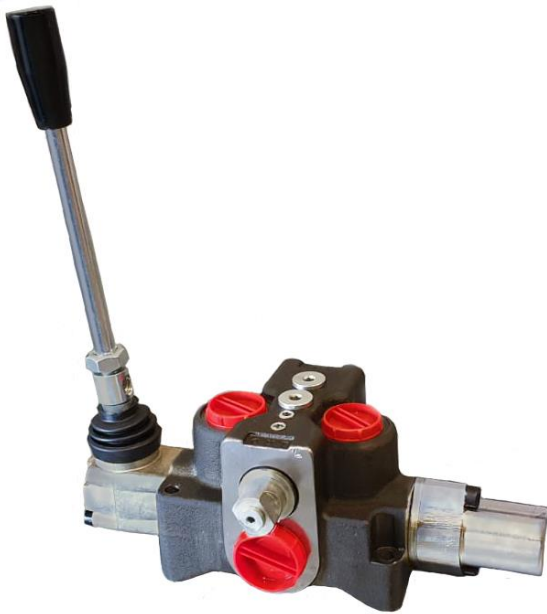
The detent release pressure is adjustable by first loosening the locking nut. Turning the adjusting screw clockwise will increase the detent release pressure and counterclockwise will decrease the pressure.

**Note:** If the detent release pressure is adjusted too high the spool will not centre; if the pressure is too low the detent will not hold.

**Continued Next Page**



## P70LS Monoblock Valve with Pressure Compensated By-Pass Flow Control



<b>Max. Inlet Flow: 70 L/min</b>		<b>1 Spool Only</b>	<b>No Common Load Hold Check on P Port</b>
<b>Adjustable Pressure: 50 - 207 bar</b>		<b>Preset: 180 bar</b>	
<b>Max. Port Pressures: IN (P) - 210 bar</b>		<b>A &amp; B - 210 bar</b>	<b>OUT (T) - 25 bar</b>
<b>Ports: IN (P) - 1 1/16" UNO</b>		<b>A &amp; B - 7/8" UNO</b>	<b>OUT (T) - 1 1/16" UNO</b>
Order Code	Description	Max. Controlled Flow L/min	Spool / Friction Detent
P70LS-4114384	P70LS-120-TM6-4-G-F1	22	
P70LS-4114383	P70LS-120-TM12-4-G-F1	45	
P70LS-4114390	P70LS-120-TM18-4-G-F1	68	
P70LS-4114389	P70LS-120-OM6-4-G-F1	22	
P70LS-4114386	P70LS-120-OM12-4-G-F1	45	
P70LS-4114385	P70LS-120-OM18-4-G-F1	68	

The P70LS series is a 4 port, 3 position, directional control valve with a pressure compensated by-pass flow control valve and an adjustable pilot operated pressure relief valve all in one compact package. The manual lever allows the user to meter the flow out of either work port and is directly proportional to the movement of the lever. Flow out of the work port is constant regardless of load changes and allows smooth and constant movement of a cylinder or motor. The Friction Detent holds the spool so it does not move when the lever is released and a detent groove indicates the neutral position.

**Note:** P70LS valves are open By-Pass and do not have HPCO capability, the T port must be connected back to tank.